

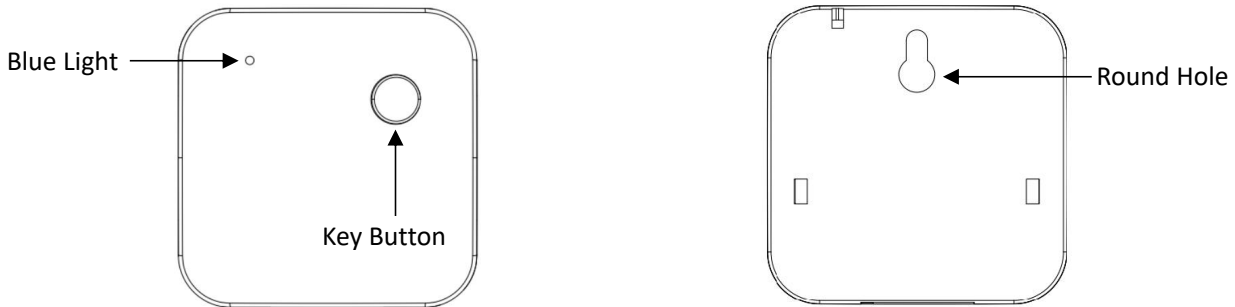
# Instruction of UR02

## Parameters:

1. Memorize 500 remote controls (the 501th one will replace the first one)
2. Work voltage: AC/DC 18-250V
3. Work frequency: 433.92MHz
4. Light Can be controlled by remote after connect with mini receiver

## Installation

1. Fixed the screw on the wall, put the receiver on the screw by round hole.



## Coding Instruction:

1. Coding: Press the Key button of receiver and the blue light will be on. Press the button of remote until the L.E.D light of motor flash for 3 times. (Exit the code mode without any operation for 15 seconds)
2. Clear coding: Press the key button for 8 seconds, the blue light will flash for 3-4 seconds, the light will be off.

## Mode Selection

### Receiver for Motor: (Fig.1)

1. Toggle the switch to "1", then choose S1 & S2.
2. Connect the receiver with motor by 7P connector.
3. After coding, you can control the motor by remote.

### Receiver for Light: (Fig.2)

1. Toggle the switch to "ON", then choose S3 & S4.
2. Connect the light with Connector 1 & 2, power with 3 & 4.
3. After coding, you can control the light by remote.

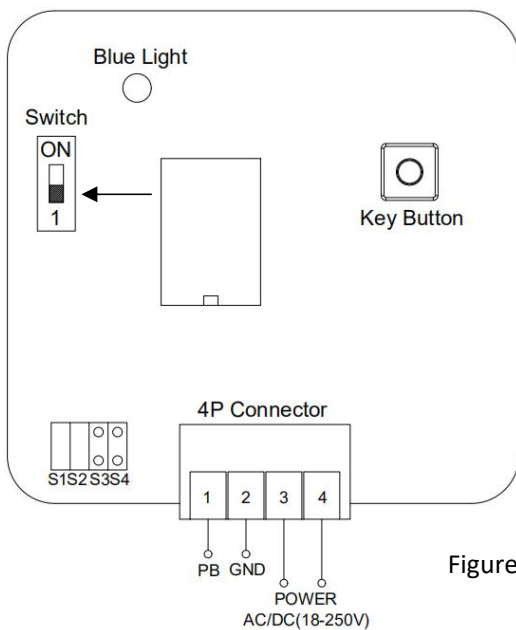


Figure 1

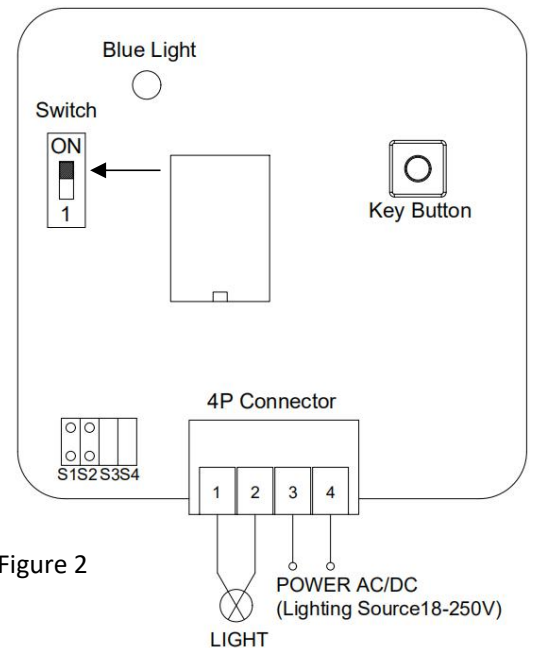


Figure 2