

TX/RX FUNCTION MODULE DESCRIPTION

Installation:

1.If the customer uses the control box for operation, please follow the Figure 1 for installation

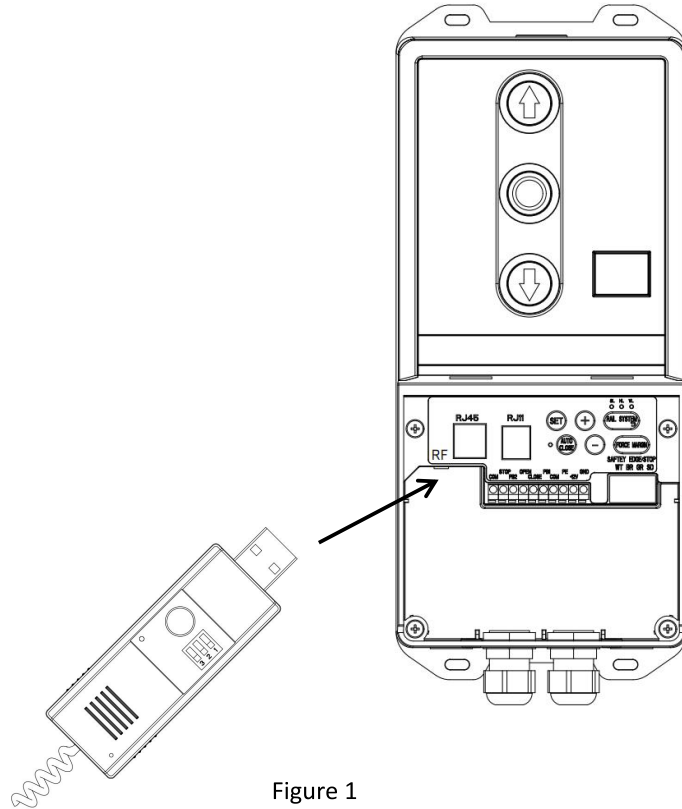


Figure 1

2.If the customer uses the digital display for operation, please follow the Figure 1 for installation

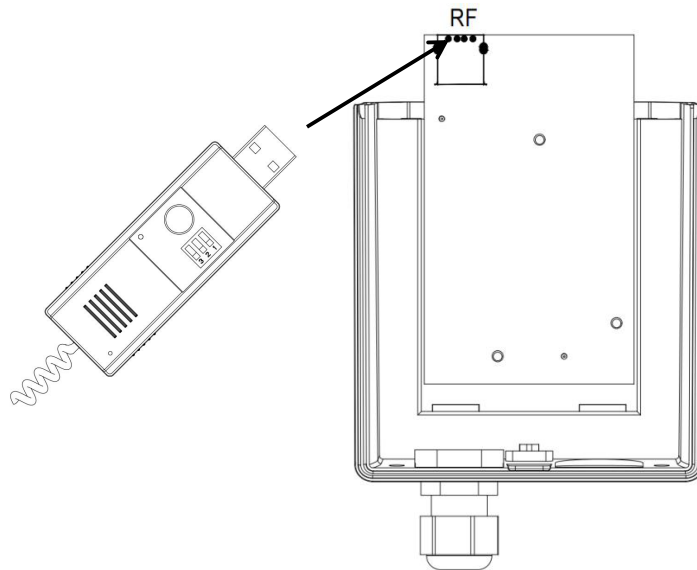


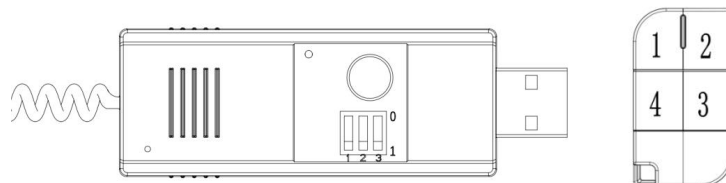
Figure 2

Transmitter module:

1. Short press the LEARN button on the module, the LED will light up. Press the LEARN button on the remote control for code matching (3-5 times), the LED flash 3-5 times, the code learning is finished.

2.Long press the learn button on the module for 6 seconds, LED will flash 5secondsquickly to clear the code

Module:



1. The external decoding module uses the standard HCS301 format open code, the frequency 433MHZ/868MHZ is optional,
2. Transmitter 4 button design; Transmitter key value 1, 8, 2, 4
3. The transmitter module and control box use USB standard interface to connect
4. The default maximum number of transmitter storage is 50codes, and if 50 codes is already learned, the 51stcodewill automatically cover the 1stcode.

Transmitter module function:

- a. Standard function: Single key cycle
- b. Ignore the key value function, all keys are valid: OPEN-STOP-CLOSE command order each cycle. As long as learning a key, the others are valid
- c. Multiple function key 1:
 - 1st button execute OPEN-STOP-CLOSE command order each cycle ;
 - 2nd button execute PARTIAL OPEN command order;
 - 3rd button execute courtesy light ON/OFF command order;
 - 4th button execute remote LOCK command order;
- d. Multiple function key 2:
 - 1st button execute OPEN the door command order;
 - 2nd button execute STOP command order;
 - 3rd button execute CLOSE the door command order;
 - 4th button execute remote LOCK command order;
- e. Multiple function key 3:
 - 1st button execute OPEN the door command order;
 - 2nd button execute STOP command order;
 - 3rd button execute CLOSE the door command order;
 - 4th button execute “CF” command order (CF” command order means press the 4th button, the door will OPEN directly without STOP action , execute the REVERSE action during door closing)

Adjust the transmitter function through the three-circuit DIP switch

S1	S2	S3	Function Description
1	1	1	Standard function (Factory default)
0	1	1	Ignore the key value function
1	0	1	Multiple function key 1
1	1	0	Multiple function key 2
0	0	1	Multiple function key 3

Important Note:

When using multiple function keys, you must use our company's standard transmitter. The transmitter provided by the customer has inconsistent key values, which may cause function failure.