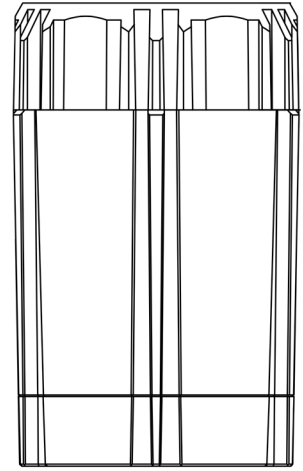


Installation Instruction

User Guides

- Suitable for fitting to cable break devices.
- Switch with bracket is operated as soon as bracket of cable break device is relieved and operates the switch by turning lifting cable, in that way stopping the operator.
- Complete with cable, 2 core.
- Micro switch connect

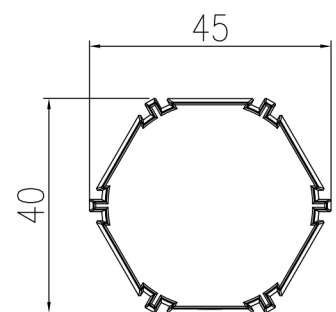
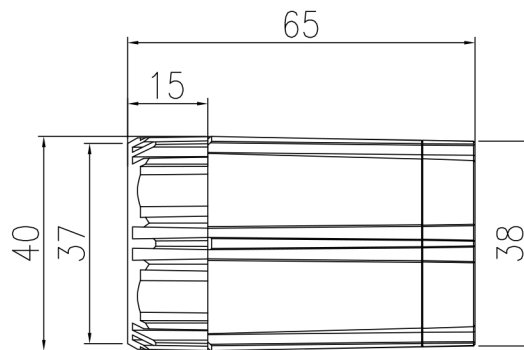
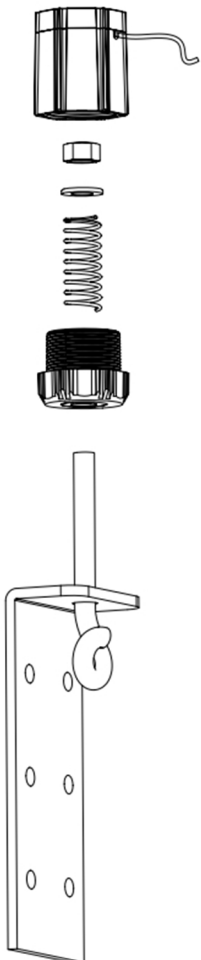


Technical data

Model	SRS
Plastic Material	PC+ABS
Contact	Micro switch
Connection wires	2 wires
Operating temperature	-20°C - +70 °C

Installation

Dimensions



Unit of Length: mm