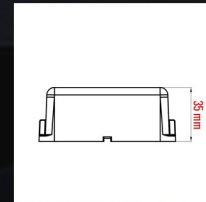
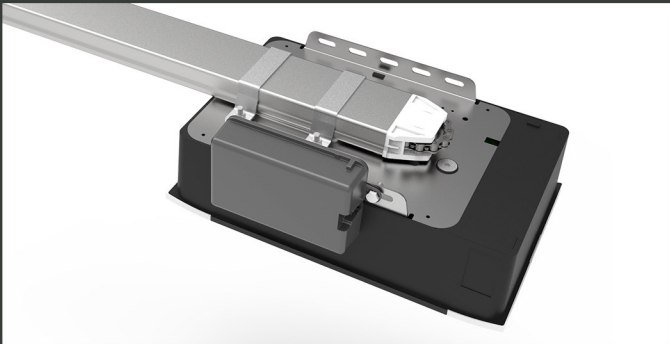


# Lithium Battery



## Installation Method

- Side Installation *(with metal bottom base)*



- Top Installation *(with plastic bottom base)*



## Parameter

- Input voltage: 24 V
- Capacity: 2.0Ah
- Standby power (working state): Max 30.00uA
- Working temperature: -40°C ~ +85°C
- Max. continuous charging/discharging current  $\leq 10A$
- 0V charging supported
- PCM internal resistance:  $\leq 60.00 \text{ m}\Omega$